



Fig. 0852 Series Installation and Spare Parts Manual

Wheel Control Assembly for
Figs. 0313 & 0885
Solar-Ray® Searchlights
8", 10", 12" & 14"



PERKO, INC. • 16490 N.W. 13th Avenue • Miami, FL 33169-5707 • www.perko.com



Fig. 0852 Solar-Ray® Series Installation Manual

Table of Contents

	Page
• Fig. 0852 Wheel Control Assembly Installation Instructions.....	3
• Fig. 0852 Wheel Control Assembly Spare Parts Diagram	4
• 7" Base Mounting Template (for Standard Pedestal OP)	5
• 8" Base Mounting Template (for Medium & High Pedestals MP & HP)	6
• Solar-Ray® Searchlight Limited Warranty	7



Fig. 0852

Figs. 0313 and 0888 Searchlights to be installed with Fig. 0852 Wheel Control Assembly

ASSEMBLY AND INSTALLATION INSTRUCTIONS

**NOTE: STOP COLLAR ASSEMBLY ON 1 INCH CONTROL TUBE IS
FACTORY PRE-SET AT 3-9/16 INCHES. DO NOT LOOSEN.**

1. Place Head Assembly on flat area with lens down. Remove wheel control assembly from box. Remove pinion gear from the control assembly. With "O" ring seal in place, insert the control assembly through the base into the main fork.
2. Important - to prevent leakage, apply pressure on "O" ring seal (by pushing control assembly into the base) while tightening 3 set screws in fork hub.
3. Replace pinion gear and tighten set screw.
4. Insert electric wire through searchlight base and tighten packing gland.
5. Remove wheel control assemblies and ceiling plate from control tube and rod
6. Select proper base mounting template for either 7" or 8" base. Drill holes in deck, per correct template on reverse side.
7. Place searchlight assembly through the cabin roof in proper position and thru-bolt with 5/16 inch machine screws (not supplied).
8. Install ceiling plate and wheel control assembly.
9. Wiring must be according to applicable standards and performed by a qualified marine electrician.

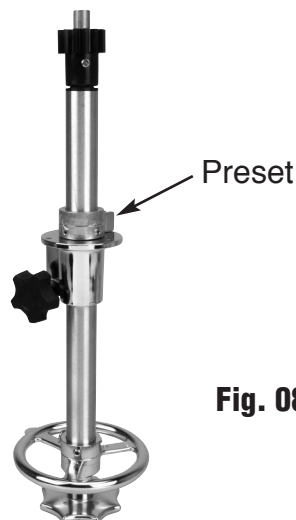
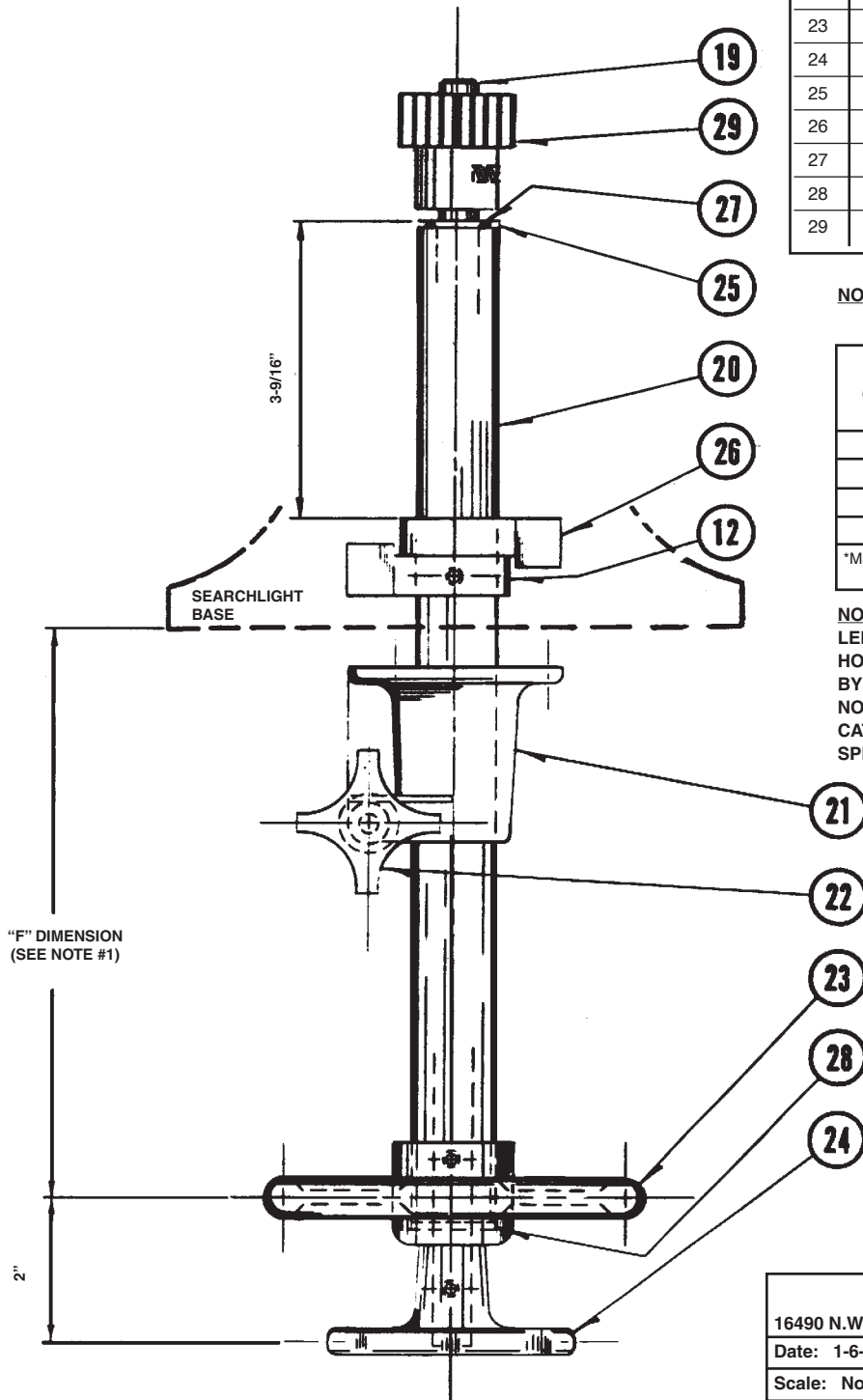


Fig. 0852

0852 Wheel Control Assembly Spare Parts Diagram

Bill of Material

Item	Spare Part	Description	Qty.
12	0851SPR012	Fixed Stop Collar	1
19		Vert. Control Rod (See Note 2)	1
20		Horiz. Control Tube (See Note 2)	1
21	0851SPR021	Horizontal Lock/Ceiling Plate	1
22	0851SPR022	Lock Knob with Spacer	1
23	0852SPR023	Horizontal Control Wheel	1
24	0852SPR024	Vertical Control Wheel	1
25	0851SPR025	Upper Control Tube Bushing	1
26	0851SPR026	Floating Stop Collar	1
27	0851SPR027	O-Ring Seal	1
28	0851SPR028	Lower Control Tube Bushing	1
29	0905	Pinion Gear (Plastic)	1



NOTE 1:

CAT. NO.: 0852 SERIES CONTROL ASSEMBLIES

"F" Length Control Inches	For Standard Pedestal Cat. No.	For Medium Pedestal Cat. No.	For High Pedestal Cat. No.	Nominal Weight Pounds
7-1/2	0852000*	0852M00*	0852H00*	6
14-1/2	08520A0	0852MA0	0852HA0	9
21-1/2	08520B0	0852MB0	0852HB0	12
28-1/2	08520C0	0852MC0	0852HC0	15

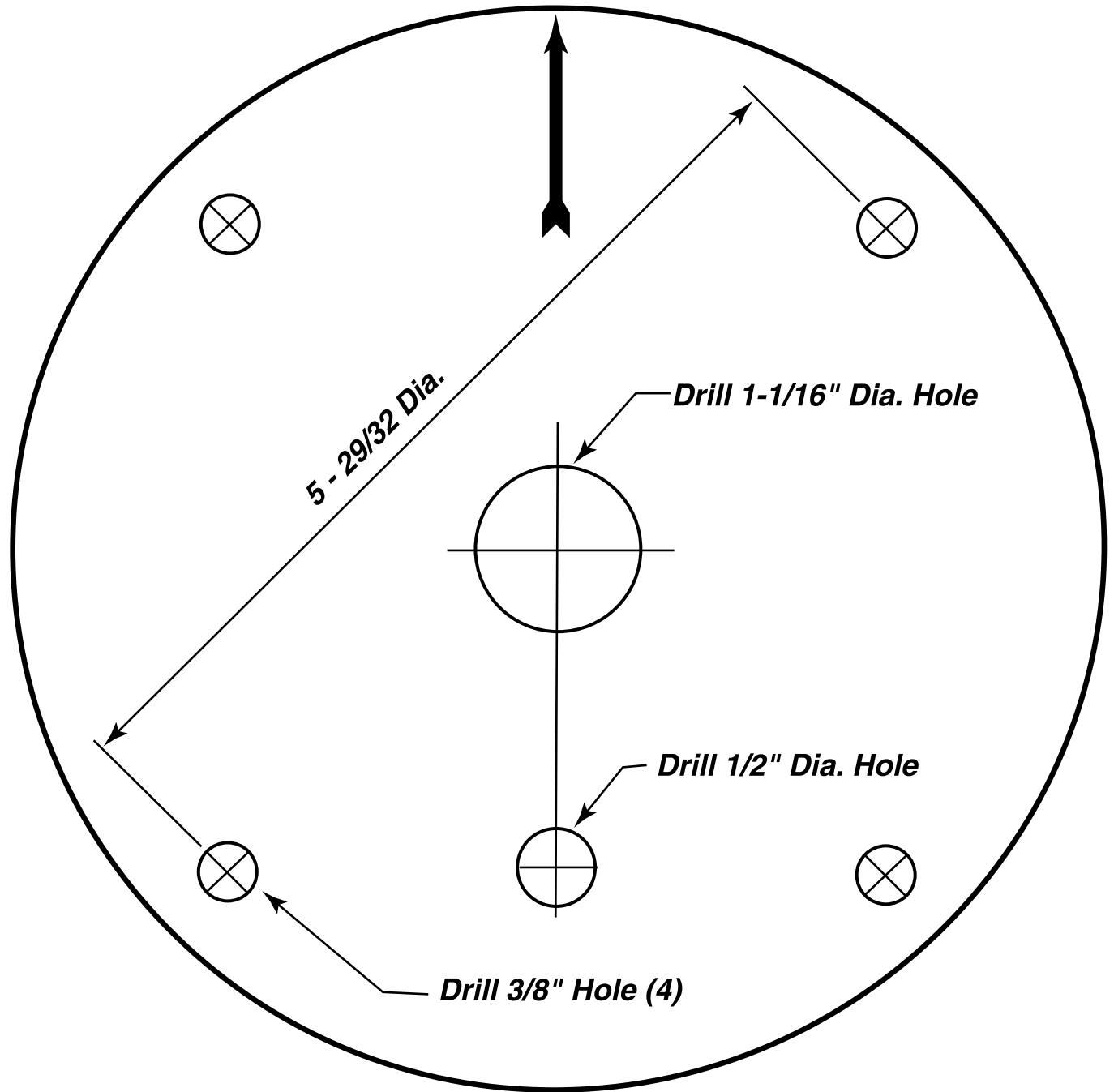
*Maximum Ceiling Thickness, 3 Inches.

NOTE 2:

LENGTHS OF SPARE VERTICAL CONTROL RODS AND HORIZONTAL CONTROL TUBES MUST BE SPECIFIED BY THE "F" DIMENSION AS SHOWN ON THE CHART IN NOTE 1, IN ADDITION TO THE CONTROL ASSEMBLY CAT. NO. OTHER DIMENSIONS AVAILABLE ON SPECIAL ORDER.

PERKO®	
16490 N.W. 13th Avenue	Miami, FL 33169-5707
Date: 1-6-83	Drawn By: D. Beutler
Scale: None	Revised: 5/5/16
Cat. No. 0852 Series Searchlight Wheel Controls Fits: 0313 & 0885 Series Searchlight Head Assemblies	

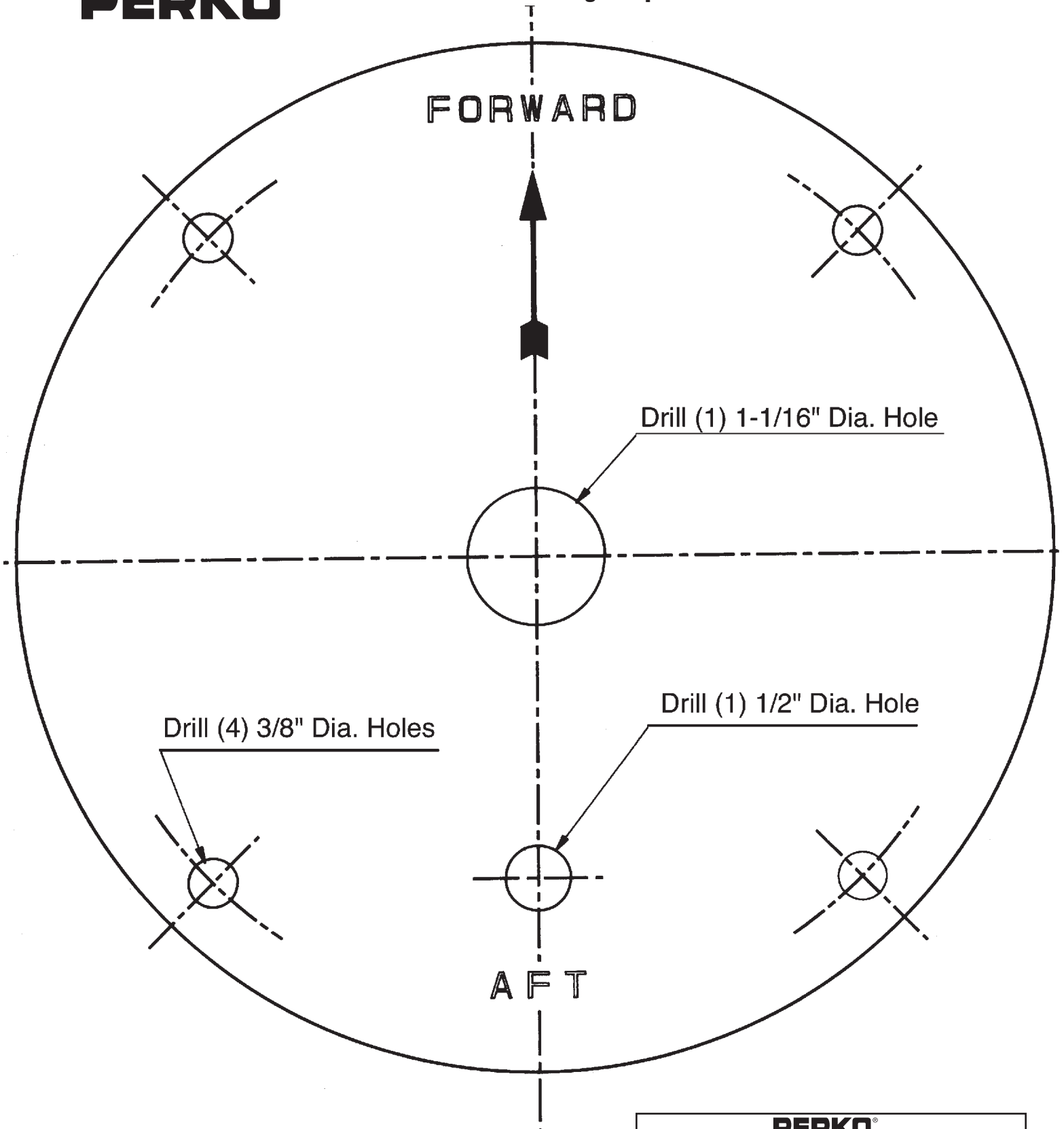
FORWARD



AFT

Caution: Check for correct searchlight base diameter before drilling mounting holes.

PERKO®	
16490 N.W. 13th Avenue	Miami, FL 33169-5707
Date: 4/11/95	Drawn By: H. Ahmed
Scale: Full	Checked By:
7" BASE TEMPLATE	
Base for Fig. Nos. 0883, 0884, 0885, 0305, 0313 (Standard Pedestal Only)	



Caution: Check for correct searchlight base diameter before drilling mounting holes.

PERKO®	
16490 N.W. 13th Avenue Miami, FL 33169-5707	
Date: 6/23/75	Drawn By: H. Ahmed
Scale: Full	Revised Date: 11/05/04
8" BASE TEMPLATE	
Base for Fig. Nos. 0883,0884,0885,0305,0313 (Med. & High Pedestal Mount Base Template)	

PERKO[®]

SOLAR-RAY[®] SEARCHLIGHT

ONE YEAR LIMITED WARRANTY

PERKO, INC. (PERKO) warrants to the original commercial-purchaser that PERKO'S commercial products will be free from defective materials or workmanship, and that the PERKOPLATE/PERKO•KOTE Finish will remain corrosion-free under normal use and service, for a period of one (1) year from the original purchase date.

ALL IMPLIED WARRANTIES, INCLUDING MERCHANTABILITY, ARE ALSO LIMITED IN DURATION TO THE ONE YEAR PERIOD FROM THE ORIGINAL PURCHASE DATE.

PERKO SHALL NOT BE LIABLE FOR LOSS OF USE OF ANY OF ITS COMMERCIAL PRODUCTS, NOR FOR OTHER INCIDENTAL OR CONSEQUENTIAL COSTS, EXPENSES, OR DAMAGES INCURRED BY THE ORIGINAL COMMERCIAL-PURCHASER OR BY ANY OTHER PERSON.

SOME STATES DO NOT ALLOW LIMITATIONS ON HOW LONG AN IMPLIED WARRANTY LASTS, SO THE ABOVE LIMITATION MAY OR MAY NOT APPLY TO YOU. SOME STATES DO NOT ALLOW THE EXCLUSION OR LIMITATION OF INCIDENTAL OR CONSEQUENTIAL DAMAGES, SO THE ABOVE LIMITATION OR EXCLUSION MAY OR MAY NOT APPLY TO YOU.

This warranty is void if the commercial product warranted has been damaged by accident or unreasonable use, neglect, improper service or other cause not arising out of defects in material or workmanship. Excluded from this warranty are Electric Light Bulbs (lamps), Sealed Beam Units and Fuses.

During the warranty period, your PERKO product will either be repaired or it will be replaced with a like product (at PERKO's option) without charge to the original commercial-purchaser, when returned prepaid and insured, with proof-of-purchase date to PERKO at the address shown below. In the event of replacement, the replacement product will continue the warranty of the original product, or ninety (90) days, whichever is longer.

PERKO does not authorize any person or company to create for it any other obligation or liability in connection with any of its products.

Serial Number _____

Date of Purchase _____

(Retain with Proof-of-Purchase Documentation)

PERKO, Inc. • 16490 N.W. 13th Avenue • Miami, FL 33169-5707

9901 019 FRM